

1618 Swift Series

Middle Recessed LED Profile Light

Technical Datasheet

Original Product

Table of Contents

I. Products Overview	2
II. Product Code	4
III. Features	4
IV. Dimensions & Structures	7
V. Specifications	8
VI. Installation and Usage	9

I. Products Overview

What is Assembled LED Lights?

Original Assembled LED Lights is a concept that contrasts with Original LED Strip Lights, referring to fully finished lighting products that are ready to use right out of the box, with no further assembly required.

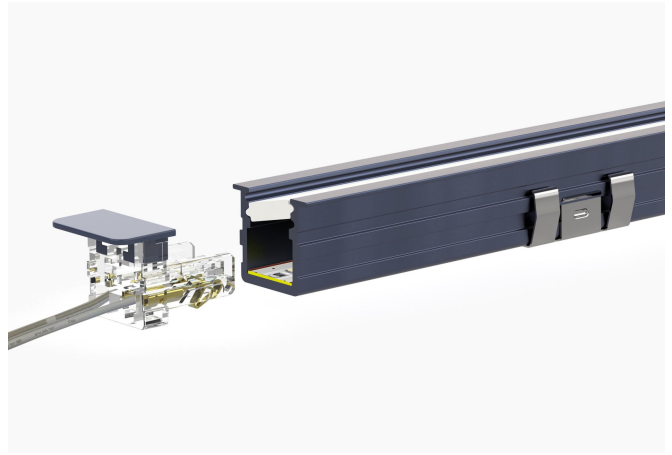
Unlike Original LED strip lights, which are raw components needing installation into an aluminum profile in most cases and connection to accessories, Original Assembled LED Lights come pre-installed in their housing and fully wired, enabling immediate installation and use without any extra setup.

What is LED Profile Light?

An LED profile light is a slim, modern lighting solution that houses and protects LED strip lights in aluminum profiles. These profiles provide even, diffused light and can be recessed, surface-mounted, or suspended, making them ideal for accent, task, and architectural lighting in various spaces.

What is an Original Middle Recessed Profile Light?





The Ariginal middle recessed profile light is a type of LED profile light designed to be installed in the middle of wood panels. The profile is partially embedded in the surface, with only the light-emitting section visible, providing a flush, clean, and integrated look along with smooth, uniform illumination.

The Ariginal middle recessed profile light can include built-in sensors (such as IR, touch, or PIR motion sensors) for self-operation, allowing users to turn the light on/off or dim it without an extra switch.

Applications:

In-cabinet, under-cabinet.



II. Product Code

The descriptions in this document are applicable to the following products only:

Profile Light - middle recessed (Swift Series).

Item Code	Input Voltage	Color Temperature	Lighting Angle	Dimension/mm
16182133	12V DC	3000K	Straight	17*10*L
16182143	12V DC	4000K	Straight	17*10*L
16182183	12V DC	Tunable White	Straight	17*10*L
16183133	12V DC	3000K	Angled	11.5*10*L
16183143	12V DC	4000K	Angled	11.5*10*L
16183183	12V DC	Tunable White	Angled	11.5*10*L
16182233	24V DC	3000K	Straight	17*10*L
16182243	24V DC	4000K	Straight	17*10*L
16182283	24V DC	Tunable White	Straight	17*10*L
16183233	24V DC	3000K	Angled	11.5*10*L
16183243	24V DC	4000K	Angled	11.5*10*L
16183283	24V DC	Tunable White	Angled	11.5*10*L

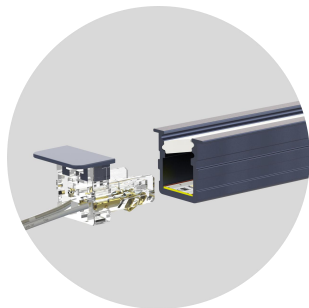
III. Features

Original "Swift" is the go-to choice for furniture lighting, its flush surface and smooth, uniform illumination makes it both functional and aesthetically pleasing, perfect for modern cabinetry.

It is the most popular form of LED cabinet lights.

Its main features include:

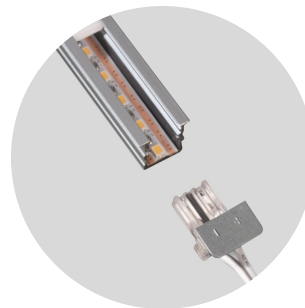
❶ Free-cut, solder-free, fully customizable.



Original "Swift" middle recessed profile light offers the freedom to cut to any length, allowing for precise customization to fit your space perfectly.

Whether it's a small cabinet or a long shelf, you can tailor the lighting without worrying about fixed increments. Thus, there are no dark areas on either end of the linear light, ensuring even illumination

❷ Plug and play. Plug in, then done.



Swift makes installation effortless with its specially designed connector that perfectly fits the profile and the LED strip inside.

Simply plug it in, and the connector automatically contacts the strip light and secures itself in the profile. Once powered, the light turns on instantly, making setup as simple as plug, and you're done.

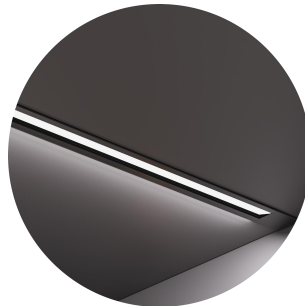
across the entire length for a flawless finish.

3 Flat lighting and angled lighting, optional.



Swift offers versatility with both flat and angled lighting options. Whether you prefer direct, bright illumination or decorative, anti-glare lighting with an angled diffuser, you can choose the setup that best suits your space and lighting needs.

4 Uniform light. soft, dotless, and no dark area.



With Swift, you get flawless, smooth illumination. The high-density LED diodes, high-quality diffuser, and free-cut capability ensure even, dot-free lighting with no dark spots on both ends, creating soft and seamless light beams that bring elegance and warmth to any space.

5 3000K, 4000K, and Tunable White, optional.



Swift offers multiple lighting options to suit any mood or setting. Choose between 3000K for warm, cozy lighting, 4000K for a neutral, balanced glow, or go with Tunable White (2700K-6500K) for customizable brightness, allowing you to adjust the light temperature to match your exact needs.

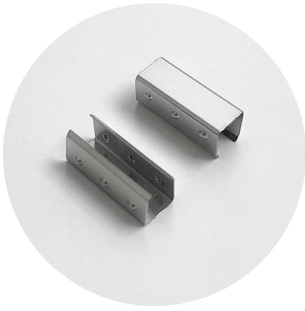
6 Wires are Hidden for Aesthetic.



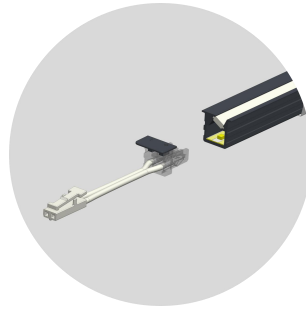
To maintain a clean aesthetic, Swift incorporates hidden wiring that routes cables through pre-made grooves in the wood panels. The wire runs along the side grooves and passes through the back panel of the closet, allowing only the stunning lights to be visible—keeping your space tidy and free from unsightly wires.

7 Fixing Clips is Included for secured installation.

8 Cord and Connector is also included, for free.



To ensure a secure installation, Swift comes with included fixing clips. These clips easily hold the recessed light in place by squeezing into the groove, providing a stable and reliable fit.



Swift includes a 1500mm cord at no extra cost, making installation even easier. One end features a solder-free connector specifically designed for the profile light, while the other end has a Dupont connector compatible with the LED driver. Everything you need for a tool-free setup is included in the package!

9 High CRI > 90, show the real color of things.



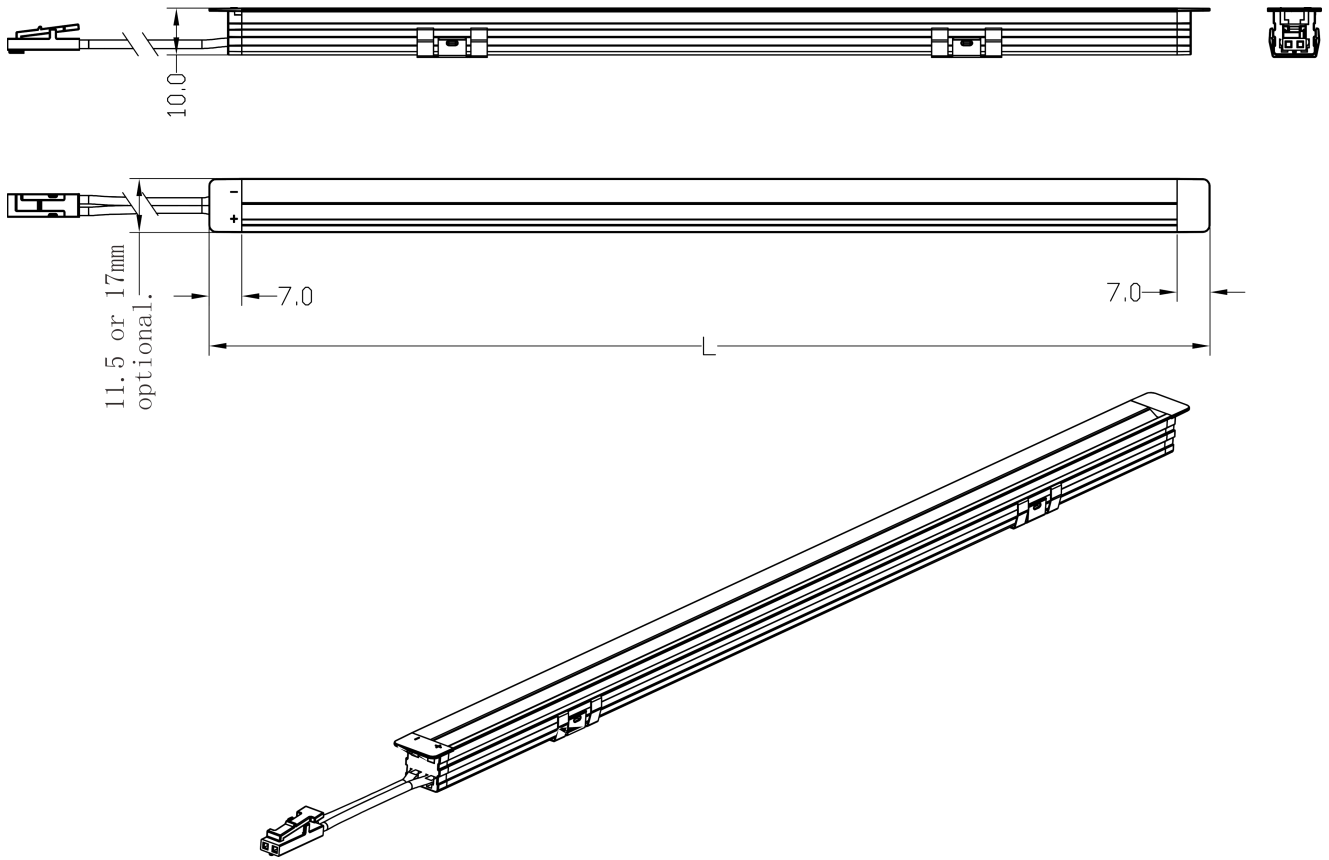
Swift boasts a high Color Rendering Index (CRI) of Ra > 90, ensuring that colors appear vibrant and true to life. Experience the beauty of your space as it showcases the real colors of your surroundings, enhancing the overall atmosphere and aesthetic appeal.

10 Compatible with all drivers and Receivers.

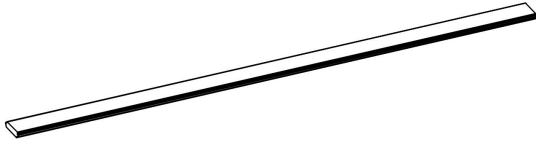
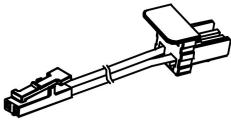
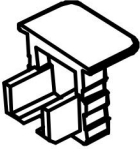
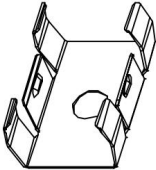


More than just compatible with all Original LED drivers and receivers, Swift also works effortlessly with third-party LED drivers or receivers as long as they use Dupont connectors. This allows you to easily integrate Swift into your existing lighting applications without any modifications.

IV. Dimensions & Structures



No.	Picture	Structure name
1		Aluminum profile
2		LED strip light

3		Diffuser
4		Front endcap, Connector and wire
5		Rear Endcap
6		Installation clip

V. Specifications

Item	Straight lighting version	Tilted lighting version
Input voltage:	12VDC, 24VDC, optional	12VDC, 24VDC, optional
Output power:	Customizable, 7.5W typ	Customizable, 7.5W typ
Installation:	Recessed	Recessed
Color temperature (K):	Customizable, 3000K / 4000K / 2700-6500K (Tunable white) typ	Customizable, 3000K / 4000K / 2700-6500K (Tunable white) typ
Color rendering index (Ra)	90	90
Number of LEDs/m:	150	150
Cutting distance:	6.67mm (1 LED/cut)	6.67mm (1 LED/cut)
Lighting angle:	120°;	Tilted 90°
Waterproof rating (IP)	IP20	IP20
Dimensions:	17*10*L (mm), Length customizable, max 3000mm.	11.5*10*L (mm), Length customizable, max 3000mm.

Connection cable length	1500mm, included in box	1500mm, included in box
Connection cable assembling	Pre-assembled in factory or assembled by customer	Pre-assembled in factory or assembled by customer
Materials:	Housing: Aluminum; Diffuser: PC Endcaps: Plastic	Housing: Aluminum; Diffuser: PC Endcaps: Plastic
Product color:	Customizable, Silver/Iron gray typ	Customizable, Silver/Iron gray typ
Operating temperature(C °)	-20~50 °C	-20~50 °C
Warranty period:	5 years	5 years

VI. Installation and Usage

Step 1: Measure the Installation Area

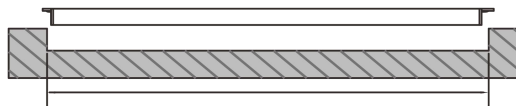
Measure the dimension of the cabinet or the destination area where the profile light will be installed.

Mark the exact position where you want the light to sit, ensuring it aligns perfectly with the surrounding structure.

Step 2: Cut the Profile Light

If you choose to cut the profile light onsite, then cut it to the length calculated from Step 1. Using the appropriate cutting tool (e.g., hacksaw or cutting machine), make a clean cut at the marked length.

- ✓ Be sure to cut along the designated cutting marks on the profile to avoid damaging the internal components.
- ✓ Double-check the length before making the final cut.

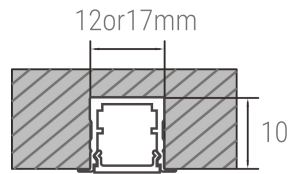


$$\text{Slot length} = \text{Light length} - 2\text{mm}$$

Step 3: Drill the Slot

Drill a recessed slot into the cabinet or surface to accommodate both the profile light and the necessary wiring.

- ✓ Make sure the slot is wide and deep enough for the light to sit comfortably.
- ✓ The depth should be slightly deeper than the profile light itself.



Slot size: 12*10mm
or 17*10mm

Step 4: Attach the Mounting Clips

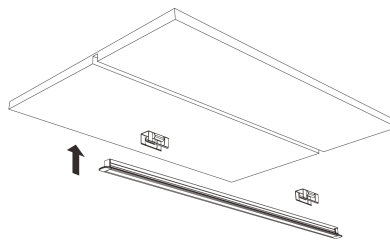
Clamp the clips securely onto the profile light. These clips will help keep the light in place once it's installed.

- ✓ Make sure the clips are positioned evenly to ensure the light sits level once installed.

Step 5: Insert the Profile Light into the Slot

Squeeze the profile light into the recessed slot, ensuring it fits snugly within the opening.

- ✓ Align the light carefully and push it into place, ensuring it's secure and flush with the surrounding surface.



The light is recessed in the middle part of the wood-board

Step 6: Organize the Wiring

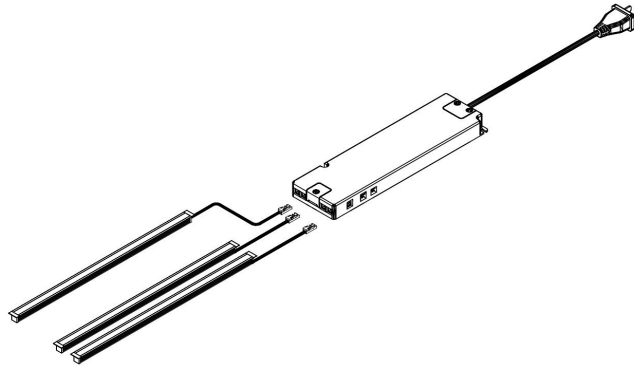
Arrange the wiring so that it runs through the cabinet wood panels or other surfaces without obstruction.

- ✓ Ensure the wires are neatly laid out to avoid damage and ensure a clean installation.

Step 7: Connect to the Power Supply

Connect the profile light to the power supply by linking the correct terminals to the LED driver or power source.

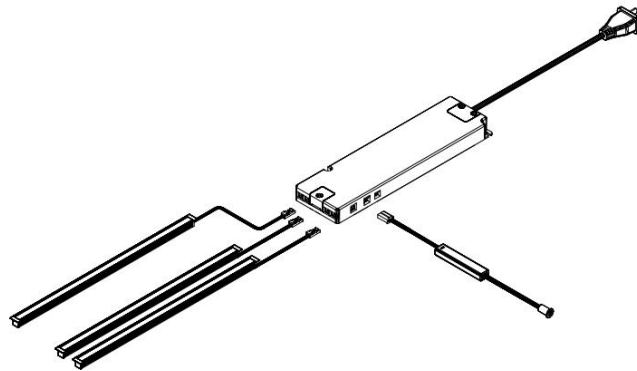
- ✓ Ensure the connector's polarity (+/-) to the LED strip in the aluminum profile is correct.
- ✓ Ensure all connections are secure, and double-check the wiring before turning on the power.



Step 8: Connect Sensors (if applicable)

If your system uses integrated sensors, connect the sensors to the designated terminals on the driver or power supply.

This will enable automated control of the lighting system, making it more efficient and user-friendly.



Step 9: Power Up

Turn on the power to ensure the profile light is functioning properly.

Test the light for proper illumination and sensor functionality.

- ✓ Make sure everything is working as expected before finalizing the installation.

When properly installed, the lighting angle should look like this:



Shenzhen Ariginal Lighting Co., LTD.

M: +86 131 7246 1245

E: info@ariginal.cn

W: ariginal.cn

 **Delight** Furniture.